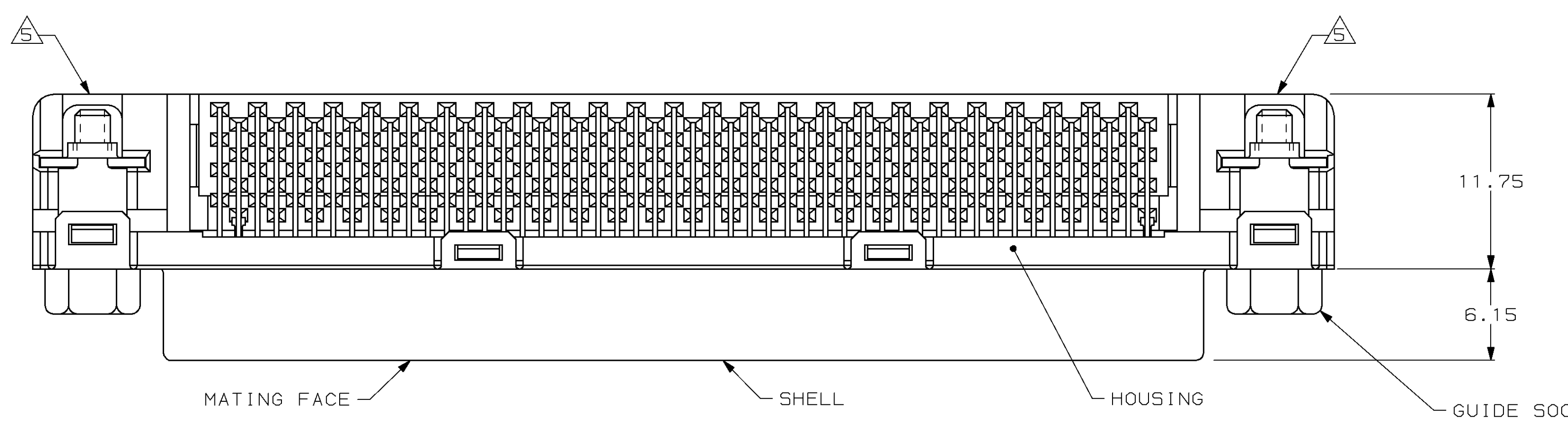
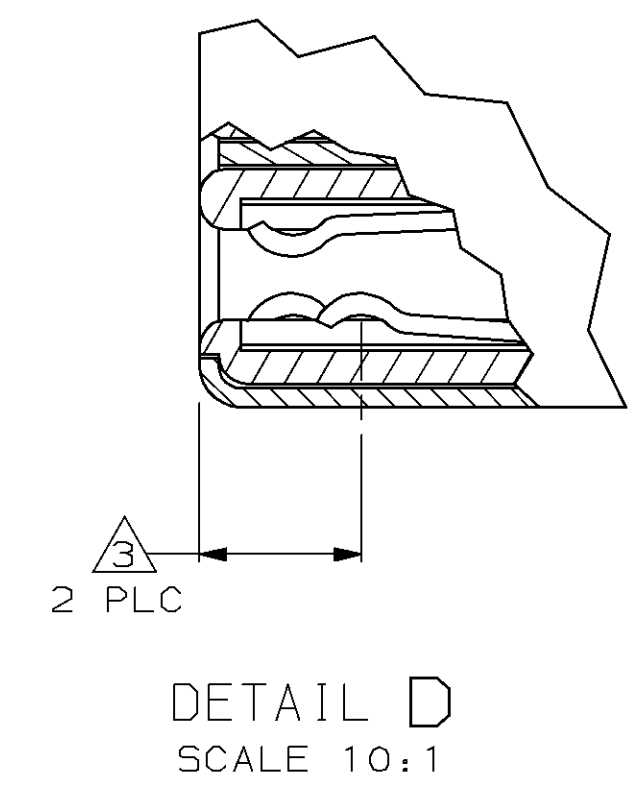
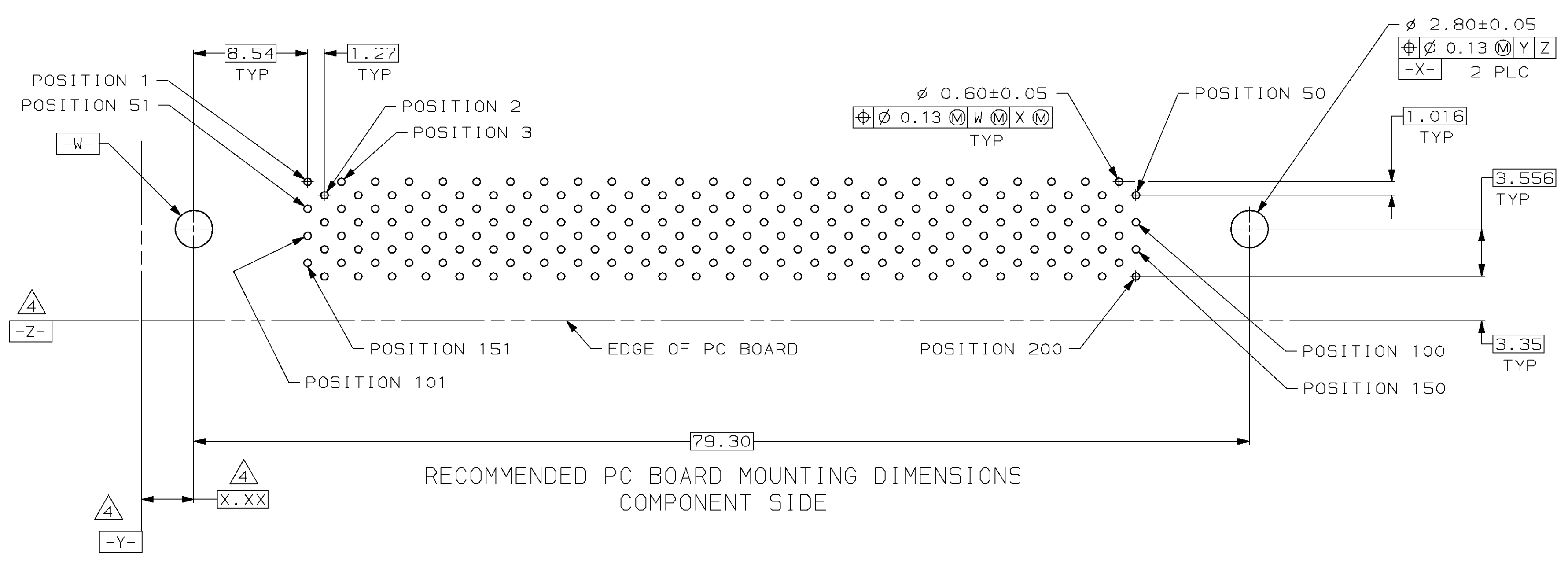
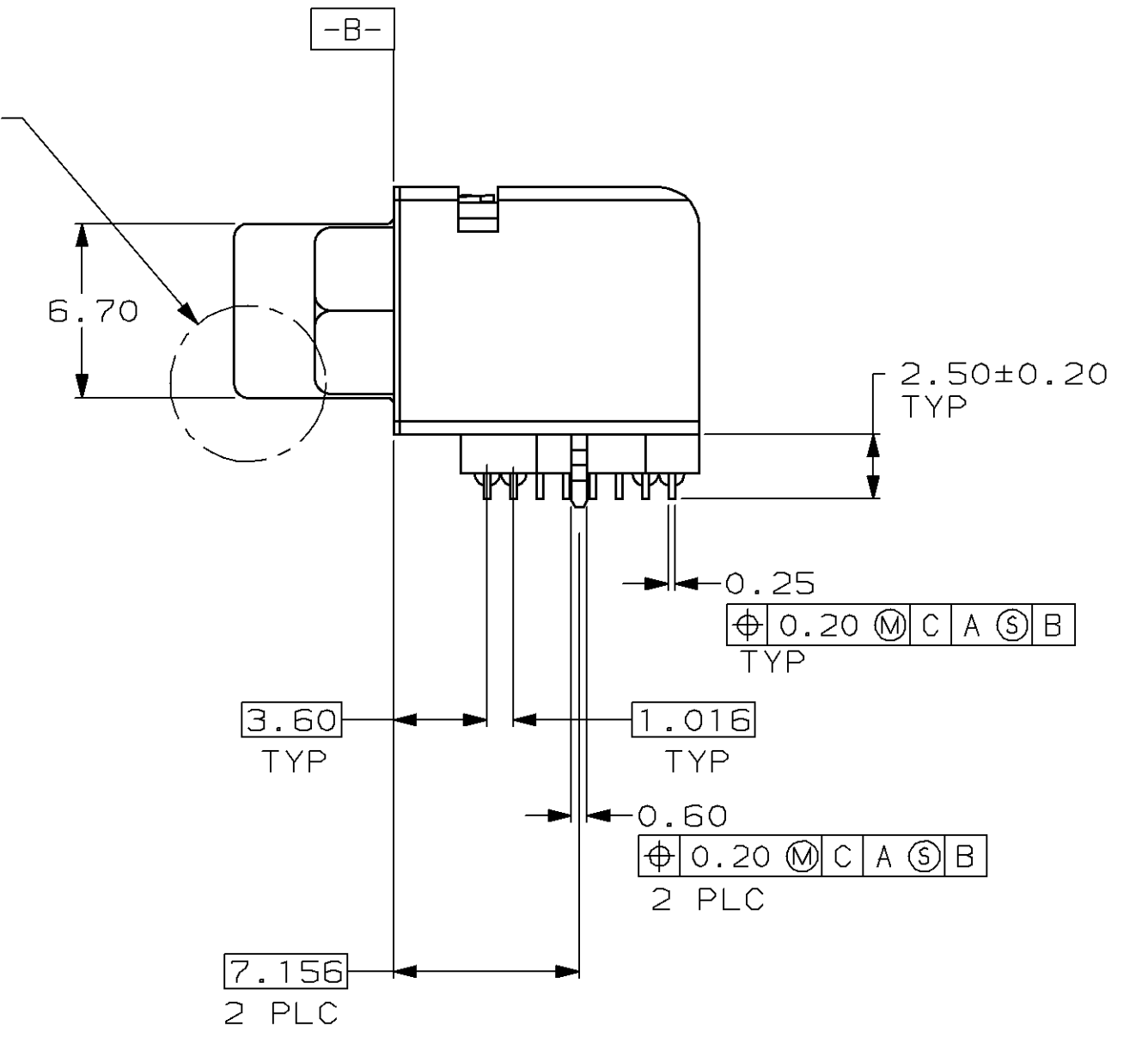
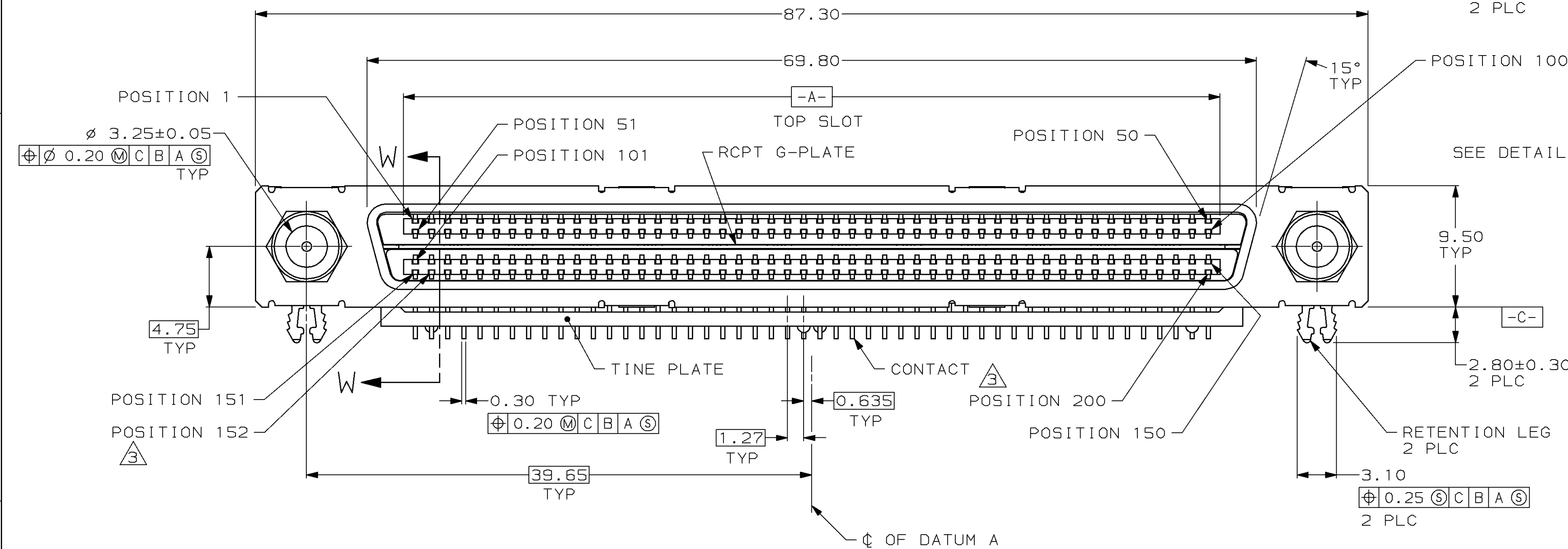


REV ISIONS		DATE	OWN	APVD
0	RELEASED PER NPR 5572	01 AUG 96	-	-
A	REV PER EC 0410-186-97	13 MAY 97	CD	JM
B	REV PER EC 0410-434-97	11 NOV 97	CD	JM



- ① HOUSING AND TINE PLATE: POLYESTER, NATURAL. CONTACTS: PHOSPHOR BRONZE. SHELL: CARBON STEEL. RCPT G-PLATE: STAINLESS STEEL. GUIDE SOCKET AND RETENTION LEG: BRASS.
- ② CONTACTS: 0.76µm MIN GOLD FOR A LENGTH OF 1.10 MIN FROM MATING END, 2.54 MIN TIN-LEAD FOR A LENGTH OF 2.80 MIN FROM OPPOSITE END, BOTH OVER 1.27µm MIN NICKEL. SHELL: 3.00µm MIN NICKEL OVER 1.30µm MIN COPPER. RETENTION LEG: 2.00µm MIN TIN-LEAD OVER 1.00µm MIN NICKEL. GUIDE SOCKET: NICKEL OVER COPPER.
- ③ CONTACTS 152 AND 200, ARE SEQUENCED AWAY FROM MATING FACE.
- ④ DATUMS AND BASIC DIMENSIONS ESTABLISHED BY CUSTOMER.
- ⑤ DATE CODE MAY BE MARKED ON EITHER END.



787883-1  
PART NUMBER

THIS DRAWING IS A CONTROLLED DOCUMENT.

DIMENSIONS:	TOLERANCES UNLESS OTHERWISE SPECIFIED:	DATE	01 AUG 96
mm	0 PLC ±-	OWN	C. DORWART
	1 PLC ±0.2	CHK	J. MOSIER
	2 PLC ±0.25	DATE	02 OCT 96
	3 PLC ±-	APVD	J. MOSIER
	4 PLC ±-	PRODUCT SPEC	
	ANGLES ±3°	APPLICATION SPEC	
MATERIAL	FINISH	WEIGHT	-
		SIZE	A1
		CAGE CODE	00779
		DRAWING NO	787883
		SCALE	4:1
		SHEET	1 OF 1
		REV	B

AMP Incorporated  
Harrisburg, PA 17105-3508

RECEPTACLE ASSEMBLY, 200 POSITION, RIGHT ANGLE, .050, CHAMP™

CUSTOMER DRAWING